

New Products

KODEN

12.1-inch /15-inch Color LCD
Marine Radar

MDC-5200/5500 Series

Full function with robust body



MDC-5200



MDC-5500



LOCAL 04/02/15 04:56
GPS 36°43.267N
140°48.303E
T 6min
CPA 1.0NM
TCPA 3.0min

TGT INFO
AIS 102
KODENMARU NO7
BRG T 095.5°
RNG 6.6NM
CTW 021.7°

NAU INFO
OS
ROT
DPHT
WAT TEMP
WIND

MDC-5200

MDC-5500 Series

MDC-5204 / MDC-5240	: 4 kW	4 feet / 6 feet Open
MDC-5206 / MDC-5260 / MDC-5506 / MDC-5560	: 6 kW	4 feet / 6 feet Open
MDC-5212 / MDC-5210	: 12 kW	4 feet / 6 feet Open
MDC-5512 / MDC-5510	: 12 kW	6 feet / 9 feet Open
MDC-5225 / MDC-5220 / MDC-5525 / MDC-5520	: 25 kW	6 feet / 9 feet Open

MDC-5200 / MDC-5500 Series have superior performance and functions of larger grade radars. High resolution XGA display with anti-reflection coating makes clear image.

Model	12-inch Display type				15-inch Display type		
Standard model	MDC-5240	MDC-5260	MDC-5210	MDC-5220	MDC-5560	MDC-5510	MDC-5520
CE model	MDC-5204	MDC-5206	MDC-5212	MDC-5225	MDC-5506	MDC-5512	MDC-5525

Features

- Clear image with High-speed sampling in short range
- Capable advanced video adjustment (Video level : 8→16)
- Auto gain with simple operation
- Improved visibility of the display by auto STC
- Simple and easy operation by trackball unit via USB
- Brushless motor adopted
No longer replace brush and less noise of motor (CE model, 12kW / 25kW)

Chart Overlay

C-Map chart (NT MAX)** is overlaid on the radar screen to provide clear radar pictures of coastlines, buoys, and other features. C-Map NT MAX "World Wide" back ground chart is built-in as standard.
**Owner supplied. Basic chart information only. Extra features of C-Map such as photo indication are not available.

TT (ARPA)



Built-in TT (ARPA) tracks up to 100 targets. Selectable auto acquisition or manual acquisition.

AIS



Built-in AIS interface for displaying up to 1000 targets.

Own ship / Target data

Target and Map information

C-MAP SD-Card

Data Display



Standard model

MDC-5240	: 4 kW	4 feet / 6 feet Open
MDC-5260 / 5560	: 6 kW	4 feet / 6 feet Open
MDC-5210	: 12 kW	4 feet / 6 feet Open
MDC-5510	: 12 kW	6 feet / 9 feet Open
MDC-5220 / MDC-5520	: 25 kW	6 feet / 9 feet Open

CE model

MDC-5204	: 4 kW	4 feet / 6 feet Open
MDC-5206 / 5506	: 6 kW	4 feet / 6 feet Open
MDC-5212	: 12 kW	4 feet / 6 feet Open
MDC-5512	: 12 kW	6 feet / 9 feet Open
MDC-5225 / MDC-5525	: 25 kW	6 feet / 9 feet Open

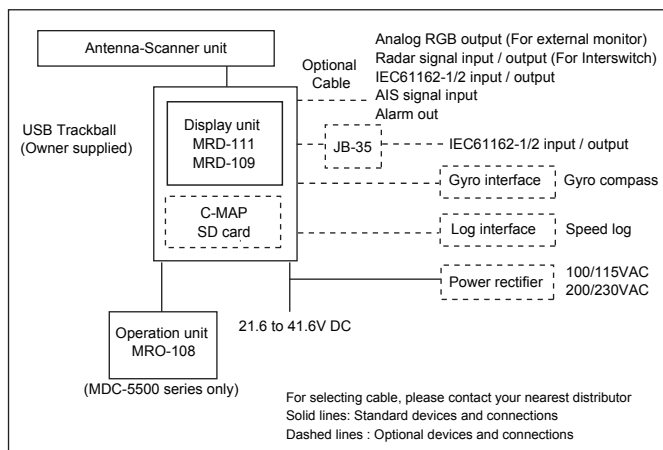
Standard model

SPECIFICATIONS

Antenna-scanner unit												
Model	MDC-5240	MDC-5260 / MDC-5560	MDC-5210 / MDC-5510	MDC-5220 / MDC-5520								
Type	RB716A	RB717A	RB718A	RB719A								
Antenna type	Open antenna											
Antenna length	4 feet / 6 feet	4 feet / 6 feet	4 feet / 6 feet / 9 feet	6 feet / 9 feet								
Output power (Peak)	4 kW	6 kW	12 kW	25 kW								
Output frequency	9410 MHz ± 30 MHz											
Horizontal beam width	4 feet : 1.8° / 6 feet : 1.2° / 9 feet : 0.8°											
Vertical beam width	4, 6 feet : 22° / 9 feet : 25°											
Rotation	24 rpm or 36 rpm or 48 rpm											
IF center frequency	60 MHz											
Range accuracy	8 meters or 1% of the range scale selected, whichever is the greater											
Minimum detecting distance	Within 40 m											
Range resolution	Within 40 m											
Warm-up time	2 min		3 min									
Pulse width	0.08 us, 0.15 us, 0.3 us, 0.4 us, 0.6 us, 0.8 us, 1.2 us											
Environmental												
Operating temperature	-25°C to +55°C											
Water Protection	IPX6											
Display unit												
Model	MDC-5200 Series		MDC-5500 Series									
Display unit	MRD-111		MRD-109									
Display size and type	12.1" color TFT LCD		15" color TFT LCD									
Effective diameter	184 mm		228 mm									
Display resolution	768 x 1024 pixels (XGA)											
Off-centering	Max. 72 %											
Echo area	2 types (Full screen, Inside of effective diameter)											
Range Scales	0.125	0.25	0.5	0.75	1.5	3	6	12	24	48	64	96
Range interval	0.0625	0.125	0.25	0.5	1	2	4	8	16	16		
	(64 NM: 6 kW, 12 kW only, 96 NM: 25 kW only)											
Presentation modes	Head-up, North-up (True motion)*, North-up (Relative motion)*, Course-up (True motion)*, Course-up (Relative motion)*											
Video levels	16											
Range unit	NM, km, sm, Kf, ky											
Functions	Chart overlay, CFAR (Clutter rejection), Interference rejection, Target expansion, Process (Averaging), VRM, EBL, Parallel index, ERBL, Cursor position, Bearing (true/relative), Trail (true/relative)*, Own ship past track*, MAP, (Event mark* etc.), Analog RGB output, Trial Manoeuver*											
Input data format and sentences	IEC61162-1 / -2 BWC, DBT, DPT, DTM, GGA, GLC, GLL, GNS, HDG, HDT, HDM, MTW, RMA, RMB, RMC, ROT, RTE, THS, VBS, VDR, VHW, VTG, WPL, XTE, ZDA											
Output data format and sentences	IEC61162-1 / -2 DTM, EVE, GLL, HBT, HDT, ROT, RSD, OSD, POS, THS, TLB, TLL, TTD, TTM, VBW, VDR, VHW, VTG, ZDA											
AIS interface*	1,000 Targets (Standard)											
TT (ARPA)*	Auto / Manual 100 Targets (Standard)											
Power supply	21.6 to 41.6 VDC											
Power Consumption (at 24 VDC)	130 W or less	150 W or less	200 W or less									
Environmental												
Operating temperature	-15°C to +55°C											
Water Protection	Front panel and operation unit : IP23											

* Requires heading, speed, and / or position signal input from external equipment including GPS Compass depending on application of user.

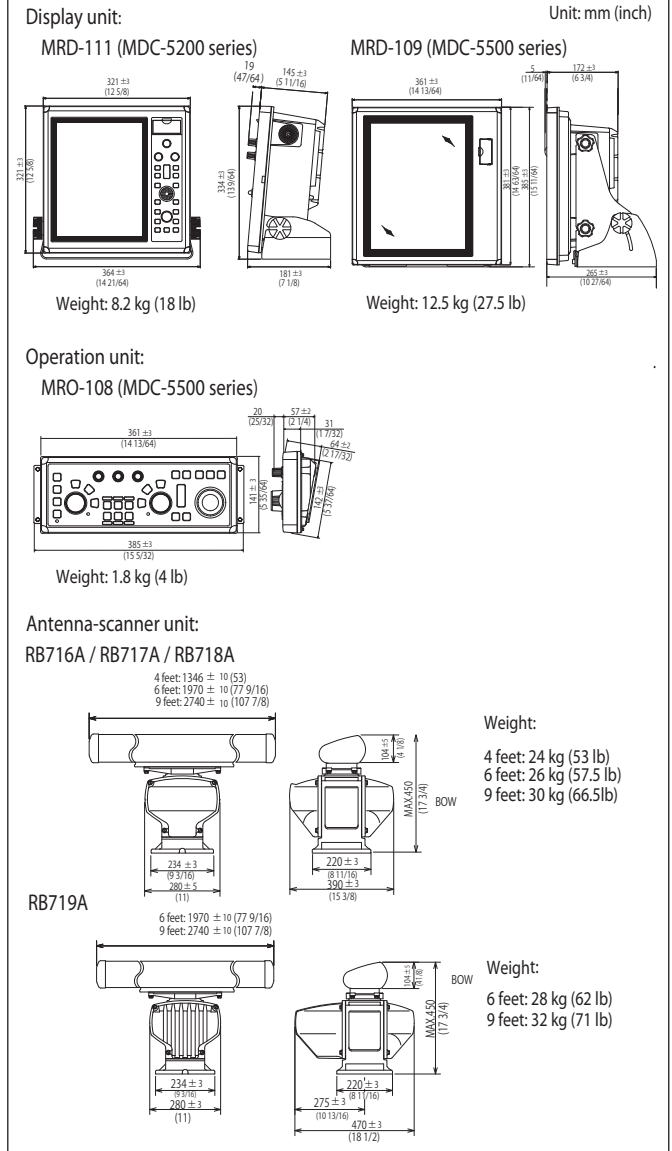
CONNECTIONS



EQUIPMENT LIST

Standard Equipment		
Scanner unit	RB716A	4 kW
	RB717A	6 kW
	RB718A	12 kW
	RB719A	25 kW
Antenna unit	RW701A-04	4 feet
	RW701A-06	6 feet
	RW701B-09	9 feet
Display unit (MDC-5200 Series)	MRD-111	
	(MDC-5500 Series) MRD-109	
Operation unit (MDC-5500 only)	MRO-108	With 2 m connecting cable
Connecting cable	242J159098B-15M	15 m with connectors on both ends
DC power cable	CW-259-2M	2 m
Operation manual, Installation manual, Installation material, Fuse		
Option		
Gyro interface unit, Log interface unit, Power rectifier, AC power cable, Connecting cables, Junction Box		

DIMENSIONS AND WEIGHT



SPECIFICATIONS

Antenna-scanner unit

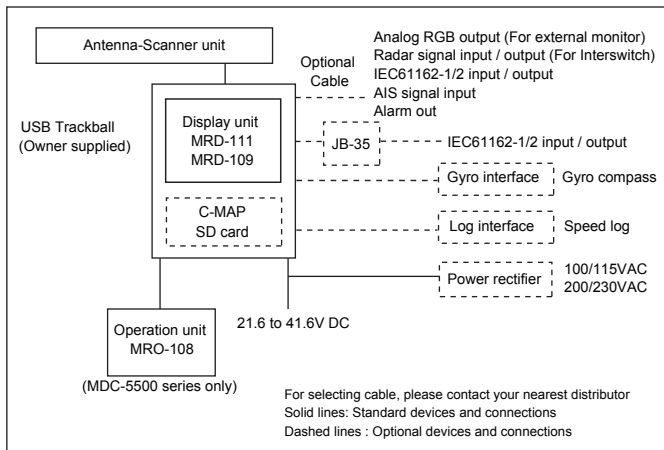
Model	MDC-5204	MDC-5206 / MDC-5506	MDC-5212 / MDC-5512	MDC-5225 / MDC-5525
Type	RB806	RB807	RB808	RB809
Antenna type	Open antenna			
Antenna length	4 feet / 6 feet	4 feet / 6 feet	4 feet / 6 feet / 9 feet	6 feet / 9 feet
Output power (Peak)	4 kW	6 kW	12 kW	25 kW
Output frequency	9410 MHz ± 30 MHz			
Horizontal beam width	4 feet : 1.8° / 6 feet : 1.2° / 9 feet : 0.8°			
Vertical beam width	4, 6 feet : 22° / 9 feet : 25°			
Rotation	24 rpm or 36 rpm or 48 rpm			
IF center frequency	60 MHz			
Range accuracy	8 meters or 1% of the range scale selected, whichever is the greater			
Minimum detecting distance	Within 40 m			
Range resolution	Within 40 m			
Warm-up time	2 min		3 min	
Pulse width	0.08 us, 0.15 us, 0.3 us, 0.4 us, 0.6 us, 0.8 us, 1.2 us			
Environmental				
Operating temperature	-25°C to +55°C			
Water Protection	IPX6			

Display unit

Model	MDC-5200 Series	MDC-5500 Series
Display unit	MRD-111	MRD-109
Display size and type	12.1" color TFT LCD	15" color TFT LCD
Effective diameter	184 mm	228 mm
Display resolution	768 x 1024 pixels (XGA)	
Off-centering	Max. 72 %	
Echo area	2 types (Full screen, Inside of effective diameter)	
Range Scales	0.125 0.25 0.5 0.75 1.5 3 6 12 24 48 64 96	
Range interval	0.0625 0.125 0.25 0.5 1 2 4 8 16 16	
	(64 NM: 6 kW, 12 kW only, 96 NM: 25 kW only)	
Presentation modes	Head-up, North-up (True motion)*, North-up (Relative motion)*, Course-up (True motion)*, Course-up (Relative motion)*	
Video levels	16	
Range unit	NM, km, sm, kf, ky	
Functions	Chart overlay, CFAR (Clutter rejection), Interference rejection, Target expansion, Process (Averaging), VRM, EBL, Parallel index, ERBL, Cursor position, Bearing (true/relative), Trail (true/relative)*, Own ship past track*, MAP (Event mark* etc.), Analog RGB output, Trial Manoeuver*	
Input data format and sentences	IEC61162-1 / -2 BWC, DBT, DPT, DTM, GGA, GLC, GLL, GNS, HDG, HDT, HDM, MTW, RMA, RMB, RMC, ROT, RTE, THS, VBW, VDR, VHW, VTG, WPL, XTE, ZDA	
Output data format and sentences	IEC61162-1 / -2 DTM, EVE, GLL, HBT, HDT, ROT, RSD, OSD, POS, THS, TLB, TLL, TTD, TTM, VBW, VDR, VHW, VTG, ZDA	
AIS interface*	1,000 Targets (Standard)	
TT (ARPA)*	Auto / Manual 100 Targets (Standard)	
Power supply	21.6 to 41.6 VDC	
Power Consumption (at 24 VDC)	130 W or less	150 W or less / 200 W or less
Environmental		
Operating temperature	-15°C to +55°C	
Water Protection	Front panel and operation unit : IP23	

* Requires heading, speed, and / or position signal input from external equipment including GPS Compass depending on application of user.

CONNECTIONS



EQUIPMENT LIST

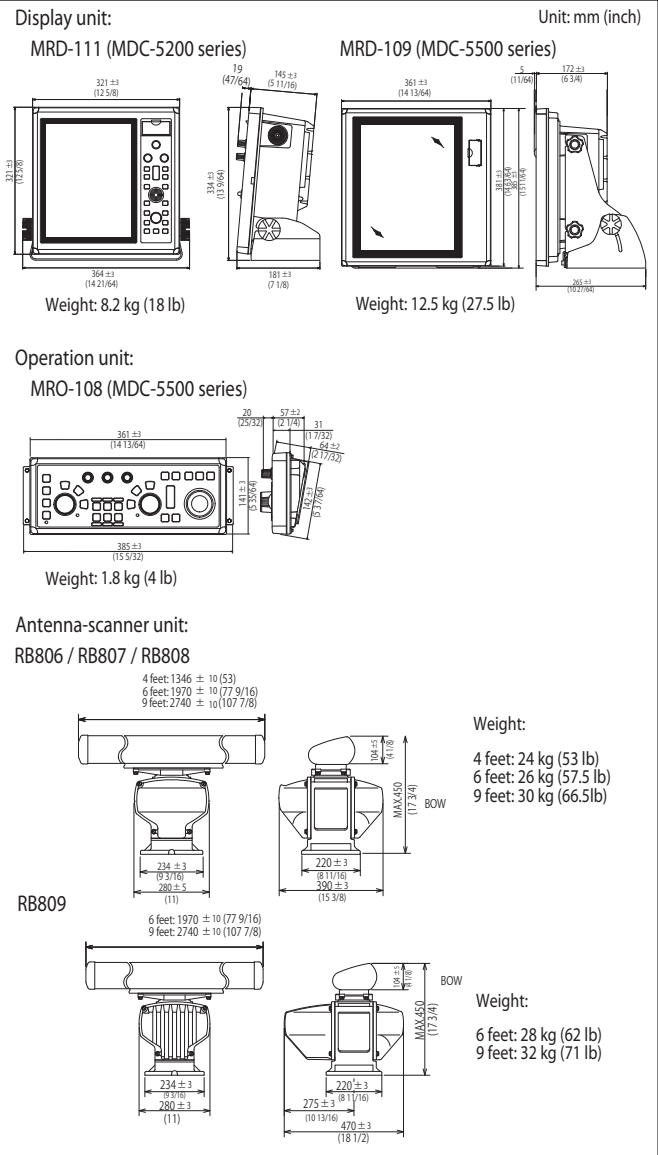
Standard Equipment

Scanner unit	RB806	4 kW
	RB807	6 kW
	RB808	12 kW
	RB809	25 kW
Antenna unit	RW701A-04	4 feet
	RW701A-06	6 feet
	RW701B-09	9 feet
Display unit (MDC-5200 Series)	MRD-111	
(MDC-5500 Series)	MRD-109	
Operation unit (MDC-5500 only)	MRO-108	With 2 m connecting cable
Connecting cable (RB807 / RB808 / RB809)	CW-845	15 m with connectors on both ends
(RB806 only)	242J159098B-15M	
DC power cable	CW-259-2M	2 m
Operation manual, Installation manual, Installation material, Fuse		

Option

Gyro interface unit, Log interface unit, Power rectifier, AC power cable, Connecting cables, Junction Box

DIMENSIONS AND WEIGHT



• Design and specifications are subject to change without notice.



Tamagawa Office:
2-13-24 Tamagawa, Ota-ku, Tokyo, 146-0095 Japan
Tel: +81-3-3756-6501 Fax: +81-3-3756-6509
Uenohara Office:
5278 Uenohara, Uenohara-shi, Yamanashi, 409-0112 Japan
Tel: +81-554-20-5860 Fax: +81-554-20-5875

overseas@koden-electronics.co.jp

www.koden-electronics.co.jp



Safety precaution To ensure proper and safe use of the equipment, please carefully read and follow the instructions in the Operation Manual.

For details, please contact: