

GPS Compass

KGC-300

Designed for safety



Features

- ▶ IMO certified GPS Compass (THD) and GPS Navigator
- ▶ Highly accurate heading, position, and speed data
- ▶ Stable and fast tracking capability
- ▶ Esthetically pleasing 4.3-inch high resolution Color LCD
- ▶ Backup sensor built-in
- ▶ 5 heading data output ports
- ▶ SBAS (WAAS / EGNOS) enabled

SPECIFICATIONS

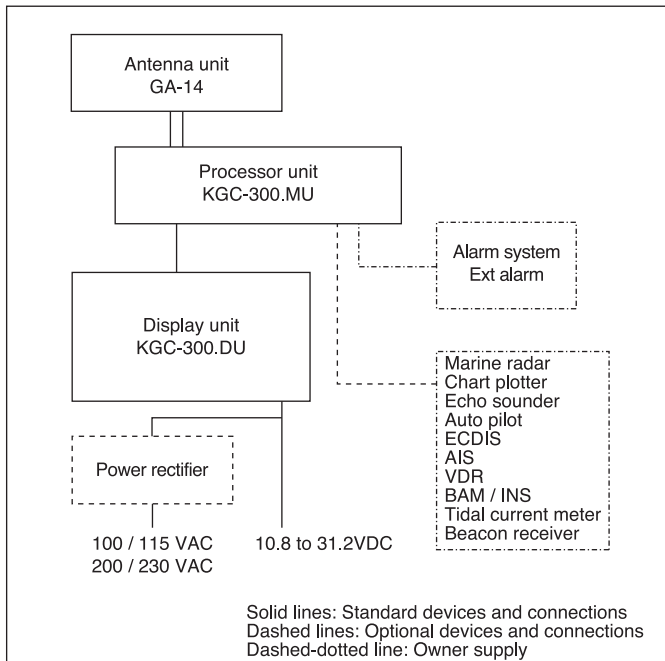
Model	KGC-300
Receiving frequency	1575.42 MHz±1MHz
Receiving channel	16 channel Parallel
Receiving code	C / A code
Sensitivity	Better than -130 dBm
Setting time	2 minutes (at standard hot-start time)
Time to position fix	Cold start 50 sec (standard) Warm start 45 sec (standard) Hot start 20 sec (standard)
Accuracy	Heading 0.5° rms Position GPS: 10m (2drms, SA: OFF, PDOP: 3 or less) DGPS: 3m (2drms, SA: OFF, PDOP: 3 or less) Velocity 1 m / sec (rms, SA: OFF, PDOP: 3 or less)
Heading resolution	0.1°
Maximum rate of turn	45° / sec
Maximum roll / pitch angle	30°
Maximum follow-up acceleration	1g
Base line length	0.5 m
Display size and type	4.3 inch color LCD (480x272 dot's, effective picture area: 95.04 x 53.86 mm)
Presentation modes	HDG1, HDG2, ROT, NAV1, NAV2, MOB (Man Over Board)
Position data display	Latitude / longitude in increments of 0.0001 minute, converted Loran C LOPs, converted Loran A LOPs, converted Decca LOPs
Navigational display	Speed, Course, Distance / Bearing to waypoint, DOP value, Present time (UTC or LTC), Satellite status, Beacon receiving status, Distance / Bearing between two points, MOB display
Instant (event) memory	1,000 points
Waypoint memory	9,000 points
Route memory	100 routes reverse trail possible
Alarms	Proximity, Cross track error, CDI, Anchor watch
Position compensation	Latitude / longitude, LOPs, Datum
Magnetic compensation	Auto or Manual
Parameters	Loran C LOPs conversion, Loran A LOPs conversion, Decca LOPs conversion, memory of waypoints and name (up to 10 letters), selection of measuring unit (nm, sm, km), averaging (smooth) factor, position mode, beacon stations selection
Output data format	IEC 61162-1, IEC 61162-2 (TX only), NMEA 0183 Ver.2.0 AAM, APB, ATT, BOD, BWC, DTM, HDM, HDT, HVE, GBS, GGA, GLL, GNS, GSA, GSV, MSS, RMB, RMC, ROT, RTE, THS, VTG, WPL, XTE, ZDA, PKODA, PKODG1, PKODG21, PKODG7 (ALC, ALF, HBT *DATA1 only) *ARC not used
Input data format	RTCM SC104 Ver.2.0 (DGPS)
Power supply	10.8 to 31.2 VDC
Power consumption (24VDC)	9.0 W or less

Environmental

Operating temperature	-15°C to +55°C (Processor unit) -15°C to +55°C (Display unit) -25°C to +55°C (Antenna unit)
Water protection	IPX0 (Processor unit) IPX4 (Display unit) IPX6 (Antenna unit)

Note: Accuracy is subject to change in accordance with DoD civil GNSS user policy.

CONNECTIONS



EQUIPMENT LIST

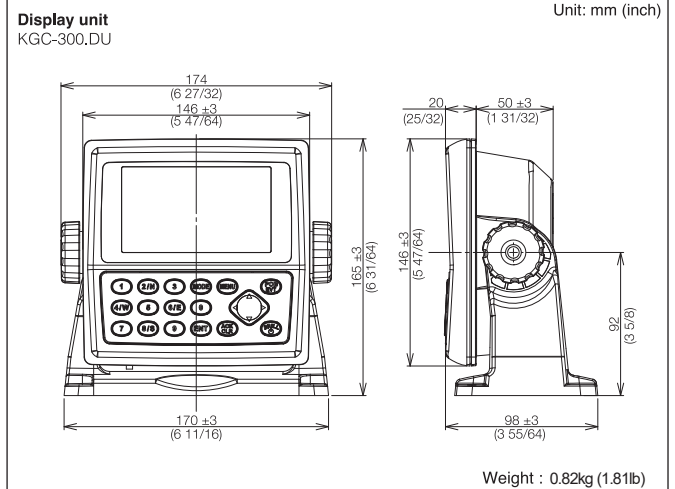
Standard equipment

Display unit	KGC-300.DU	With mounting bracket and hard cover
Processor unit	KGC-300.MU	
Antenna unit	GA-14	With bird protector
DC power cable	CW-276-2M	With 5-pin connector and one end plain
Antenna cable	CW-392-15M	3D-2V with BNC connectors on the both sides
Connecting cable	CW-419-5M	6 pin water resistant connector and other end plain w/EMI core
Connector	MCVR1.5 / 6-ST-3.81	Accessories for connecting data
Operation manual, Installation material		

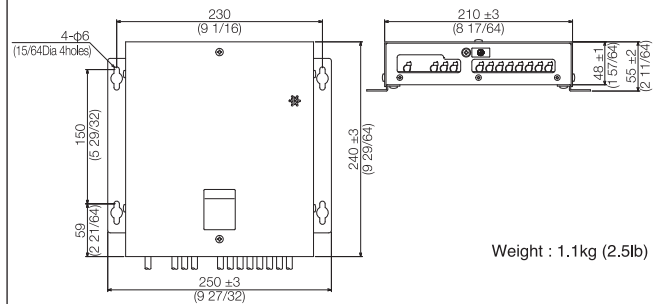
Options

Connecting cable, Power rectifier, AC power cable, Connector, Antenna cable extension kit

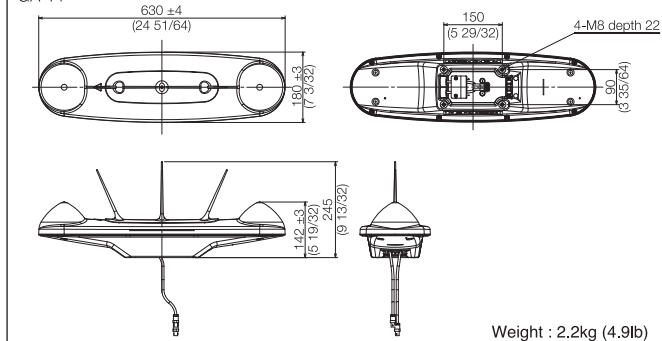
DIMENSIONS AND WEIGHT



Processor unit KGC-300.MU



Antenna unit GA-14



• Design and specifications are subject to change without notice.

KODEN Kodens Electronics Co., Ltd.

Tamagawa Office:
2-13-24 Tamagawa, Ota-ku, Tokyo, 146-0095 Japan
Tel: +81-3-3756-6501 Fax: +81-3-3756-6509
Uenohara Office:
5278 Uenohara, Uenohara-shi, Yamanashi, 409-0112 Japan
Tel: +81-554-20-5860 Fax: +81-554-20-5875

overseas@koden-electronics.co.jp

www.koden-electronics.co.jp



Safety precaution

To ensure proper and safe use of the equipment, please carefully read and follow the instructions in the Operation Manual.

For details, please contact: